

MSF radio controlled alarm clock



28023 | OPERATING INSTRUCTIONS

Electrical requirements

Check that the voltage on the rating plate of your alarm clock corresponds with your house electricity supply which must be A.C. (Alternating current).

For alarm clocks with fitted plug.

If the socket outlets in your home are not suitable for the plug supplied with this appliance the plug should be removed and the appropriate one fitted.

IMPORTANT : THE PLUG REMOVED FROM THE MAINS LEAD, IF SEVERED, MUST BE DESTROYED AS A PLUG WITH A BARED FLEXIBLE CORD IS HAZARDOUS IF ENGAGED INTO A LIVE SOCKET OUTLET.

Should the fuse in the 13 amp mains plug require changing a 3 amp BS1362 fuse must be fitted.

The socket outlet should be installed near the equipment and shall be easily accessible.

Battery back-up facility (unit will work without batteries being fitted)
Your alarm clock is equipped with a battery back-up facility.

- 1 Remove the battery compartment cover (located underneath the unit) by pushing in the clip and lifting off.
- 2 Insert 3 x AA size 1.5V batteries and connect to terminals (Ensure the batteries are inserted correctly).
- 3 Replace the battery compartment cover. **(Batteries not supplied).**

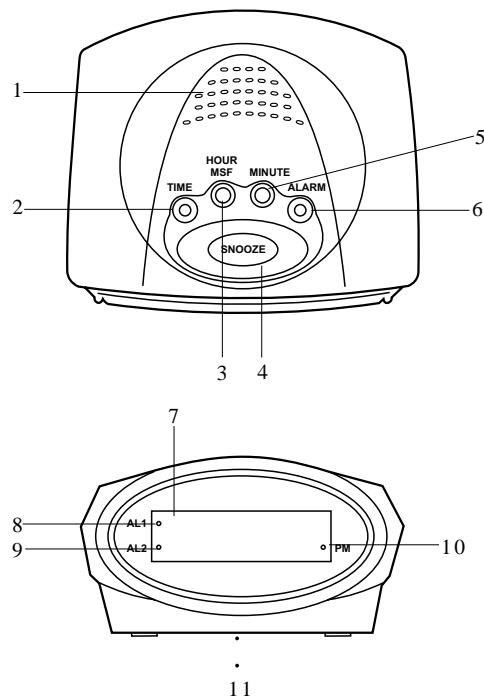
Should a power interruption occur the clock will continue to run, however, time keeping will not be accurate. The display will be extinguished to conserve battery life but the memory will retain details of the clock time and alarm settings.

If the optional battery is not installed in case of the AC power failure when power is restored, the clock will go through the automatic msf clock setting. You will need to set the alarm.

Battery back-up is designed to operate for a short period only. If the unit is not to be used for a prolonged period, remove the battery to avoid battery leakage.

In the interests of environmental safety : dispose of batteries safely.

Illustration



Location of controls

- | | |
|-------------------|--------------------------------------------------|
| 1 Speaker | 7 LED clock display |
| 2 Time button | 8 Alarm 1 indicator |
| 3 Hour/MSF button | 9 Alarm 2 indicator |
| 4 Snooze button | 10 PM indicator |
| 5 Minute button | 11 Battery compartment (located underneath unit) |
| 6 Alarm button | |

P.2

Switching on and setting the clock time

Before you start using your alarm clock, you must start by setting the clock to the correct time.

- 1 Place the unit on a flat surface. Plug the mains plug into the wall socket and switch on the wall socket.

Automatic MSF clock setting

- 2 The LED clock display will count up from 00 to 59 several times and will then set the time automatically using the MSF signal that it receives from the national physical laboratory at Rugby.

Manual clock setting

- 3 If you wish to set the time manually, press and release the TIME button (2) to change the mode. Press and hold the TIME button and simultaneously hold down the HOUR/MSF button (3) or the MINUTE button (5). The LED clock display will fast forward the minutes and hour segments. Release the TIME button (2) when your desired time is set.
- 4 The PM indicator (10) will illuminate to indicate 12.00 midday has been reached. By holding the hour button down, the hour will advance by 5 hours.

Note : In this mode, the unit will not be able to receive the automatic MSF signal.

Setting the alarm 1 time

- 1 Press the ALARM button (6) once in time mode. 'AL 01' will display. As the alarm button is released the previous alarm time will display.
- 2 Repeatedly press the SNOOZE to select the desired type of alarm as follows:

Type of alarm	DAILY	WEEKDAY	WEEKEND	Disabled
LED display	dY17	dY15	dY67	--:--

Note : The default type of alarm is daily (dY17)

- 3 Press the HOUR/MSF to adjust the alarm time by + 1 hour, press and hold HOUR/MSF to adjust the alarm clock by 5hrs/0.5 seconds.
- 4 Press the MINUTE button to adjust the alarm time by + 1 minute, press and hold the MINUTE button to adjust the alarm clock by 5 min/0.5 seconds.
- 5 To exit the alarm setting, press the TIME button once, or wait for 15 seconds the display will revert back to the time.
The alarm will activate at the set alarm time.
The alarm will automatically turn off after 59 minutes.

Setting the alarm 2 time

- 1 Press the ALARM button twice in time mode. 'AL 02' will display when alarm is pressed.
- 2 Repeat the same procedure as used for alarm 1.

Viewing the previous alarm type

- 1 Press the ALARM button to select the setting for alarm 1 or alarm 2.
- 2 Press and hold the SNOOZE button, the previous alarm type displays.
Note : Do not press the SNOOZE button again, otherwise, the type of alarm will be changed.
- 3 Press the TIME button, to exit the alarm setting mode. (The alarm mode will also exit if no buttons are pressed for 15 seconds).

Reviewing / setting the year

- 1 Press and hold the TIME button for 3 seconds in time mode, the current year will be displayed.
- 2 Press the MINUTE button once to change the year in the following sequence: 1999-2000 - ... - 2048 - 2049 -1950 -1951 - ... - 1999 - 2000
- 3 Press the HOUR/MSF to change the setting by 10 years.
- 4 If an incorrect date is entered after advancing the year by one, like Feb 29th 2001, the date will be set to the maximum day of that month, which is 28th Feb 2001 automatically.
- 5 Press the TIME button to return to time mode. If you do not press any buttons for 15 seconds the clock will return to time mode.

Reviewing / setting the date

- 1 Press and hold the TIME button for 3 seconds in time mode, the current year will be displayed.
- 2 Press the SNOOZE button once for review / setting the date mode.
- 3 The date will display, in dmmm format.

P.5

Snooze function

Once you have activated the snooze, the alarm will sound again after 9 minutes.

- 1 Press the SNOOZE button (4), after 9 minutes the alarm buzzer will sound again.

Maintenance

Do not expose your clock to extremes of temperature. The product should be kept in a warm environment free from dust and damp. For external cleaning use only a soft, clean, damp cloth. Use of detergents may damage the finish.

Technical specification

AC Power supply	:	230v AC ~ 50Hz
Battery back-up	:	4.5V DC type 3 x AA (not included)

Warning labels

WARNING: to reduce the risk of electric shock, do not expose this appliance to rain or moisture.



ATTENTION: To reduce the risk of electric shock, do not remove the cover. There are no user serviceable parts inside the unit. Refer any servicing to qualified personnel.



The lightning flash with arrowhead symbol within the triangle is a warning sign alerting the user of 'dangerous voltage' inside the unit.



The exclamation point within the triangle is a warning sign alerting the user of important instructions accompanying the product.

To prevent fire or shock hazard do not expose this apparatus to dripping and splashing.

P.7

- 4 To advance the day setting by 1, press the HOUR/MSF button once.
- 5 To advance the month setting by 1, press the MINUTE button once.
- 6 If an incorrect date is entered after advancing the month, like Apr 31st 2001, the date will be set to the maximum day of that month, which is Apr 30th 2001, automatically.
- 7 Press the TIME button to return to time mode. If you do not press any buttons for 15 seconds the clock will return to time mode.

Reviewing the day of the week

- 1 Press and hold the TIME button for 3 seconds in time mode, the current year is displayed.
- 2 Press the SNOOZE button twice to review the day of the week, the day will appear on the display, dAY1 ... dAY7 will be displayed which stands for Monday to Sunday respectively. The day of the week cannot be changed but it is already set according to the date.
- 3 Press the TIME button to return to time mode. If you do not press any buttons for 15 seconds the clock will return to time mode.

MSF Signal

- 1 This mode starts when the HOUR/MSF has been pressed in time mode, '-0 0-' displays.
- 2 If you want to review the current time when receiving MSF signal, press the TIME button.
- 3 Press the HOUR/MSF to alternate between MSF on mode and off.
- 4 When the MSF signal is detected the two digit counter will count up steadily from 00 to 59, until the clock is synchronised.
Note : If the two digit counter is not counting up, then it is not receiving the MSF signal, change the position of the unit for the best reception.
- 5 When the TIME button is pressed or when a valid MSF signal has been received the clock will return to time mode.
- 6 The unit will automatically synchronize at 12.00am and 3.00am everyday.

To stop the alarm tone (Alarm 1 and 2 have individual alarm tones).

The alarm is programmed to run for 59 minutes.

- 1 To stop the alarm, press the ALARM button (6). The alarm will stop and will operate again 24 hours later.
- 2 To stop the alarm temporarily, press the SNOOZE button (4). The alarm will sound again 9 minutes later.
- 3 To switch the alarm setting off press the ALARM button once and release. Then press the snooze four times until the display reads --:--. Repeat if necessary for alarm 2. Neither indicator (8 or 9) should be illuminated.

P.6

Guarantee

Morphy Richards products are manufactured to internationally accepted quality standards. In addition to your statutory rights, Morphy Richards guarantee your product to be free from manufacturing and component defects for a period of TWO YEARS from date of purchase.

If your product proves to be defective within 28 days of purchase, your Morphy Richards dealer from whom the product was purchased will be pleased to replace it free of charge.

Should your product develop a defect within the guarantee period but after the replacement period, please return the product to the following address, together with the proof of purchase, brief details of the symptoms and your own name and address.

Morphy Richards Limited
Talbot Road
Mexborough
South Yorkshire
S64 8AJ

Your post office will provide a certificate of posting. The product will be repaired and returned to you promptly.

If you need any further advice, please call our Helpline (UK local rate) on: 08450 777700 (Mon-Fri)

Morphy Richards Website: www.morphyrichards.co.uk

446/8001/75 Rev 2

Imported by : Morphy Richards Ltd, Talbot Road, Mexborough, S64 8AJ

Morphy Richards products are intended for household use only.
Morphy Richards has a policy of continuous improvement in product quality and design.
The company, therefore reserves the right to change the specification of its models at any time.

